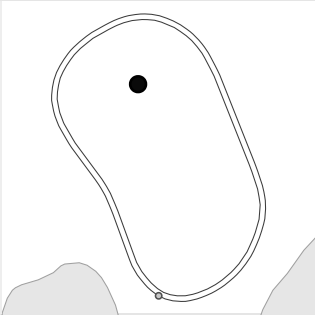
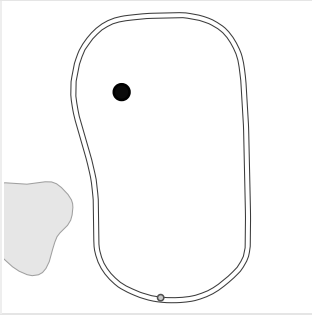


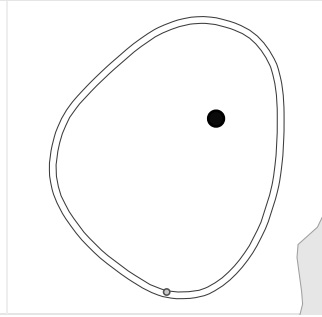
1
+9
D: 33
25

A diagram of a golf hole with a circular green and a rectangular fairway. The hole is located in the upper right quadrant of the green.

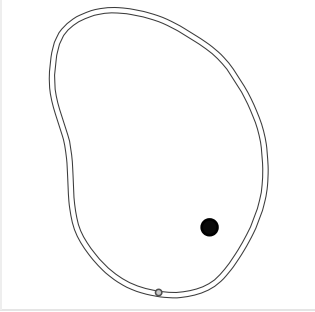
7
+9
D: 37
27 L6

A diagram of a golf hole with a circular green and a rectangular fairway. The hole is located in the upper left quadrant of the green.

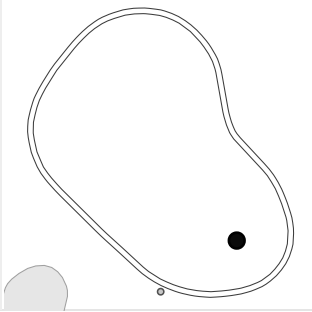
13
+4
D: 26
17 R6

A diagram of a golf hole with a circular green and an irregular fairway. The hole is located in the upper right quadrant of the green.

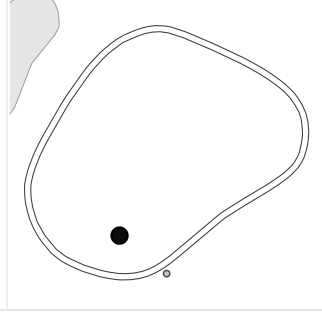
2
-9
D: 34
8 R5

A diagram of a golf hole with a circular green and an irregular fairway. The hole is located in the lower right quadrant of the green.

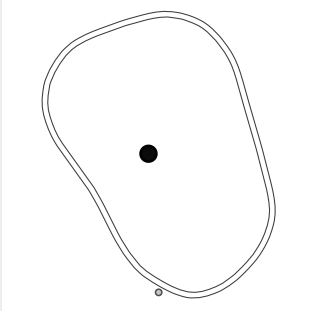
8
-10
D: 33
6 R6

A diagram of a golf hole with a circular green and an irregular fairway. The hole is located in the lower right quadrant of the green.

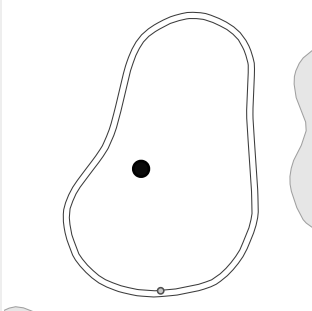
14
-9
D: 25
4

A diagram of a golf hole with a circular green and an irregular fairway. The hole is located in the lower left quadrant of the green.

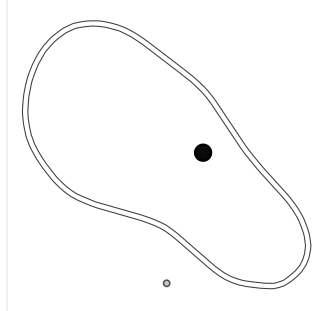
3
+0
D: 32
16 L9

A diagram of a golf hole with a circular green and an irregular fairway. The hole is located in the center of the green.

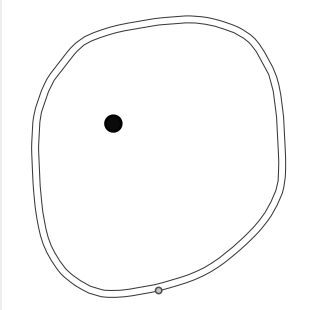
9
-2
D: 29
13 L5

A diagram of a golf hole with a circular green and an irregular fairway. The hole is located in the center of the green.

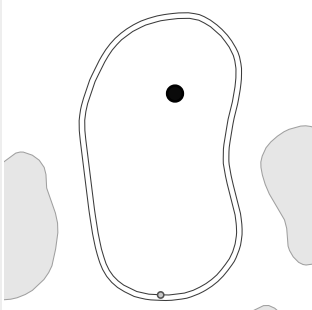
15
+0
D: 31
16 R5

A diagram of a golf hole with a circular green and an irregular fairway. The hole is located in the center of the green.

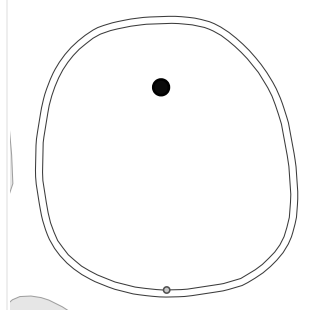
4
+3
D: 26
16 L7

A diagram of a golf hole with a circular green and an irregular fairway. The hole is located in the center of the green.

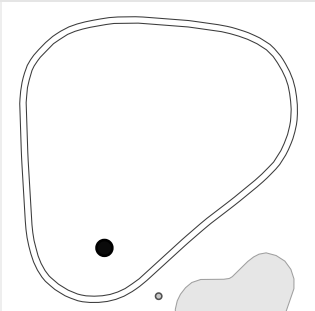
10
+8
D: 33
24 R7

A diagram of a golf hole with a circular green and an irregular fairway. The hole is located in the center of the green.

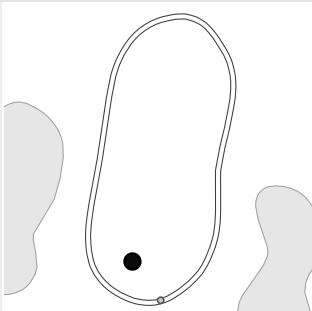
16
+6
D: 25
19

A diagram of a golf hole with a circular green and an irregular fairway. The hole is located in the center of the green.

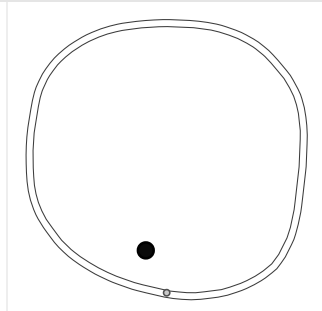
5
-9
D: 28
5

A diagram of a golf hole with a circular green and an irregular fairway. The hole is located in the lower left quadrant of the green.

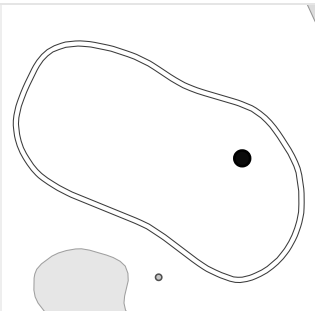
11
-13
D: 36
5 L5

A diagram of a golf hole with a circular green and an irregular fairway. The hole is located in the lower left quadrant of the green.

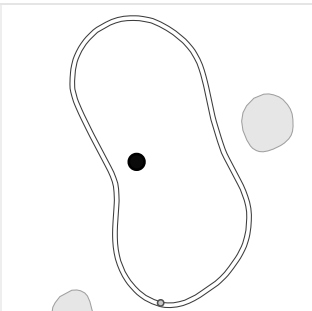
17
-9
D: 25
4 L7

A diagram of a golf hole with a circular green and an irregular fairway. The hole is located in the lower left quadrant of the green.

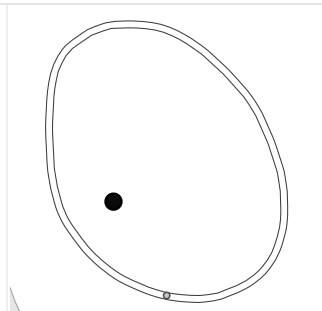
6
+0
D: 29
15 R6

A diagram of a golf hole with a circular green and an irregular fairway. The hole is located in the center of the green.

12
0
D: 40
20 L4

A diagram of a golf hole with a circular green and an irregular fairway. The hole is located in the center of the green.

18
-4
D: 26
9 L5

A diagram of a golf hole with a circular green and an irregular fairway. The hole is located in the center of the green.